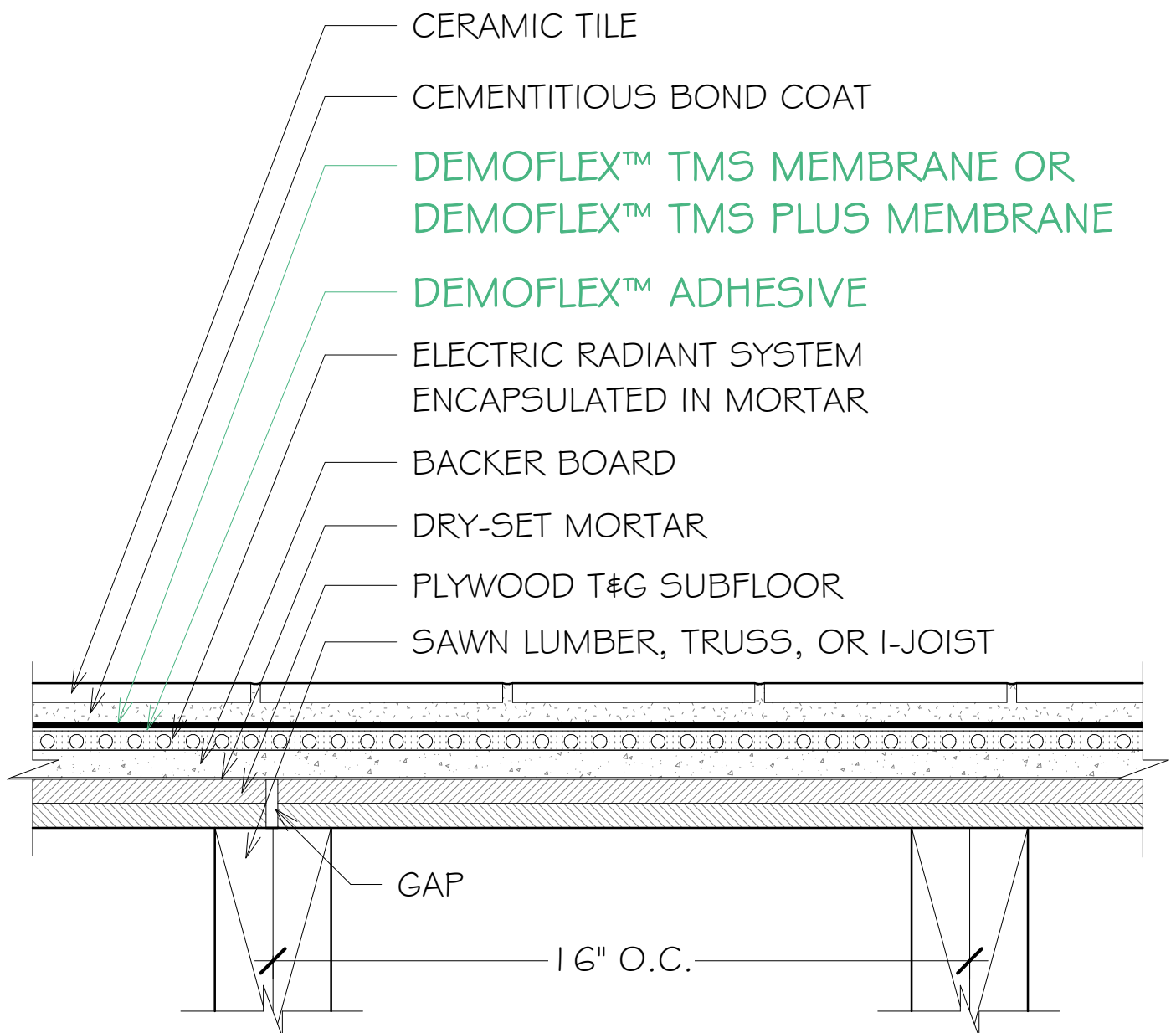


INTERIOR FLOORS WITH RADIANT HEAT OVER WOOD

RH135-17 (MODIFIED)

- JOISTS MAX. 16" O.C. / PLYWOOD SUBFLOOR
- BACKER BOARD
- ELECTRIC RADIANT HEAT SYSTEM ENCAPSULATED IN MORTAR
- DEMOFLEX™ TMS MEMBRANE OR DEMOFLEX™ TMS PLUS MEMBRANE
- CERAMIC TILE, GLASS TILE

DemoFlex™
Tile Management System



NUE TILE PROVIDES DEMOFLEX TAPE FOR SEAMS AND PERIMETER OF MEMBRANE.