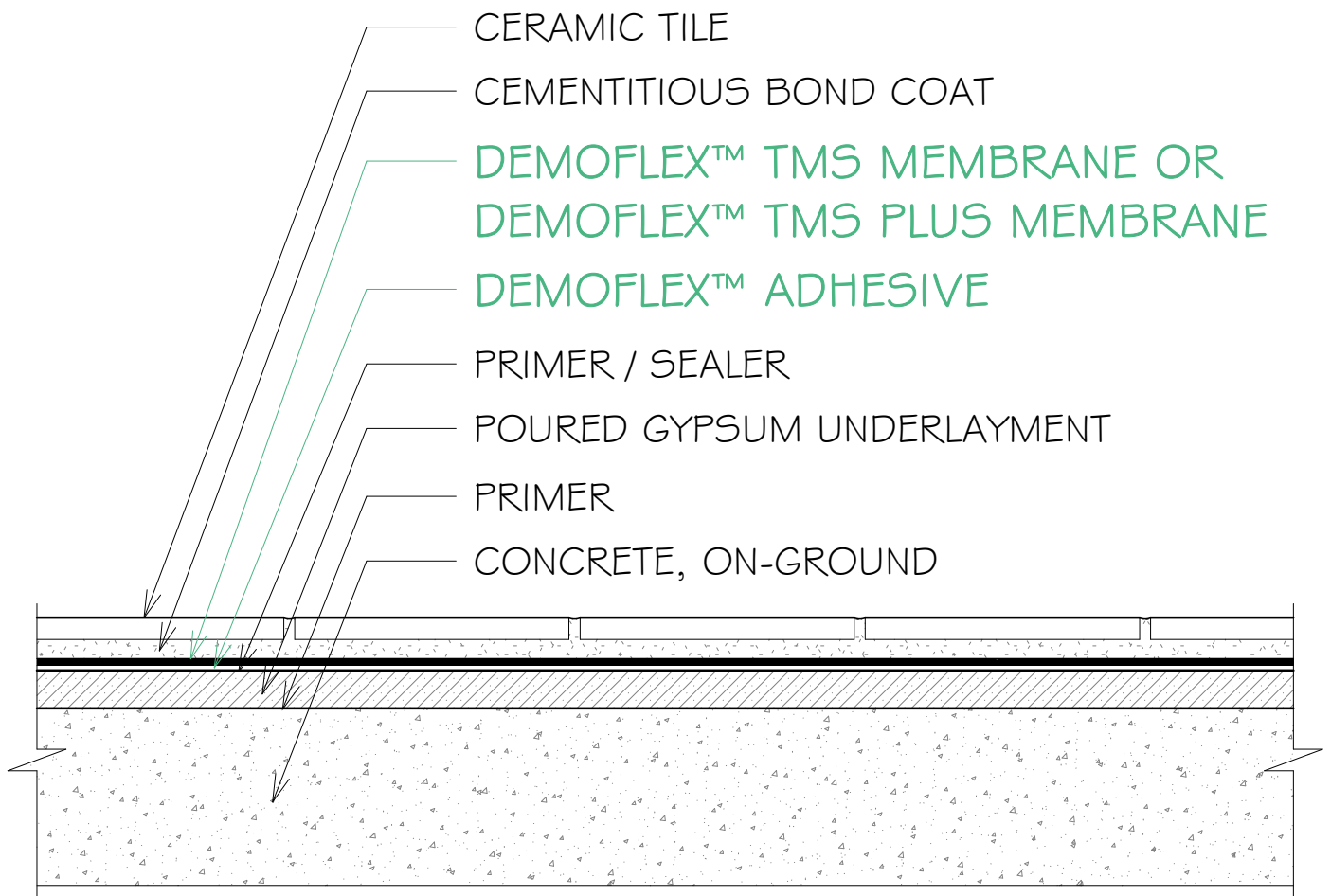


INTERIOR FLOORS OVER CONCRETE

F200-17

- ON-GROUND CONCRETE
- POURED GYPSUM UNDERLAYMENT
- DEMOFLEX™ TMS MEMBRANE OR DEMOFLEX™ TMS PLUS MEMBRANE
- CERAMIC TILE, GLASS TILE

DemoFlex™
Tile Management System



NUE TILE PROVIDES DEMOFLEX TAPE FOR SEAMS AND PERIMETER OF MEMBRANE.