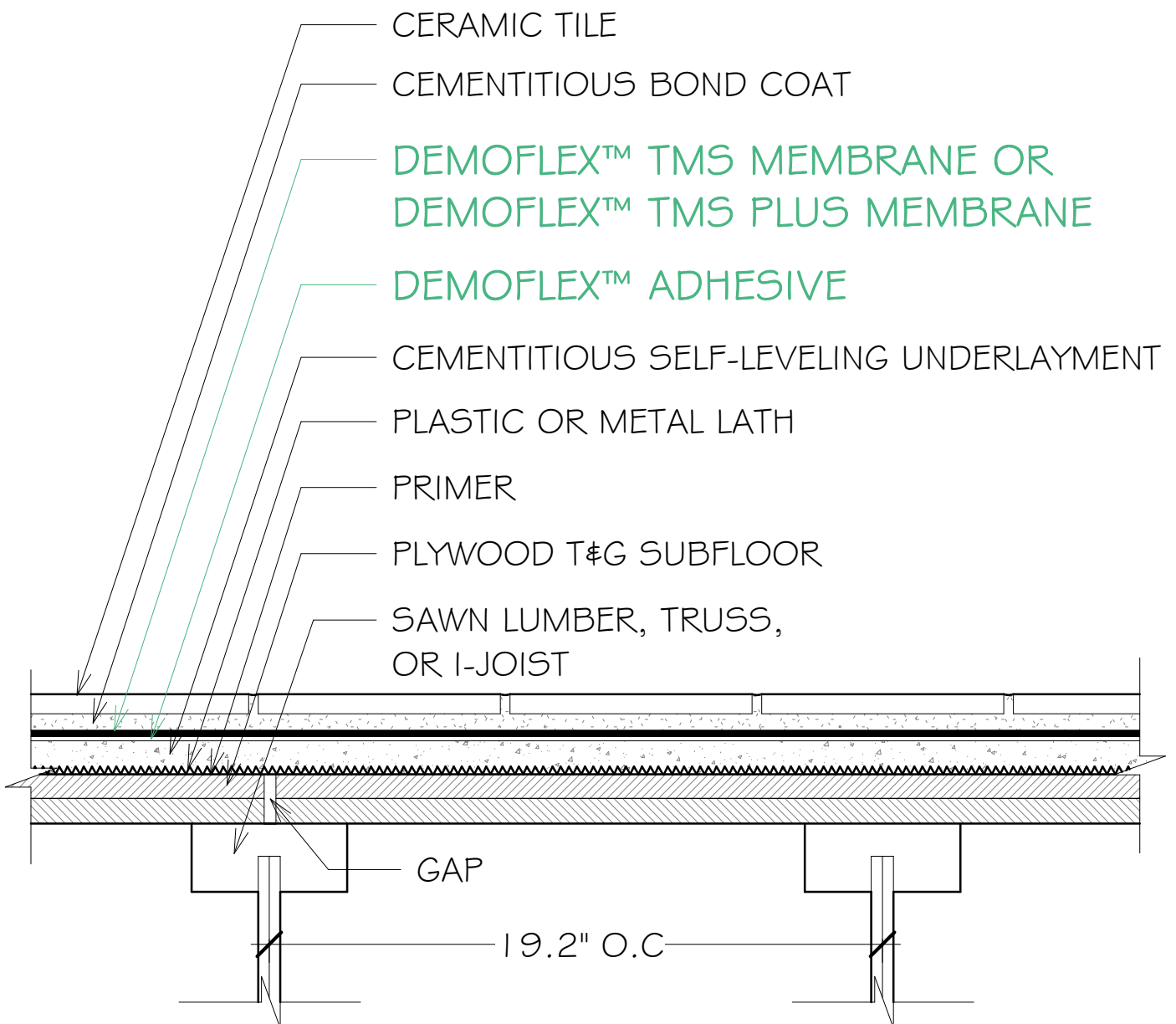


INTERIOR FLOORS OVER WOOD

F185-17

- JOISTS MAX. 19.2" O.C. / PLYWOOD SUBFLOOR
- CEMENTITIOUS SELF-LEVELING UNDERLAYMENT
- DEMOFLEX™ TMS MEMBRANE OR DEMOFLEX™ TMS PLUS MEMBRANE
- CERAMIC TILE, GLASS TILE

DemoFlex™
Tile Management System



NUE TILE PROVIDES DEMOFLEX TAPE FOR SEAMS AND PERIMETER OF MEMBRANE.