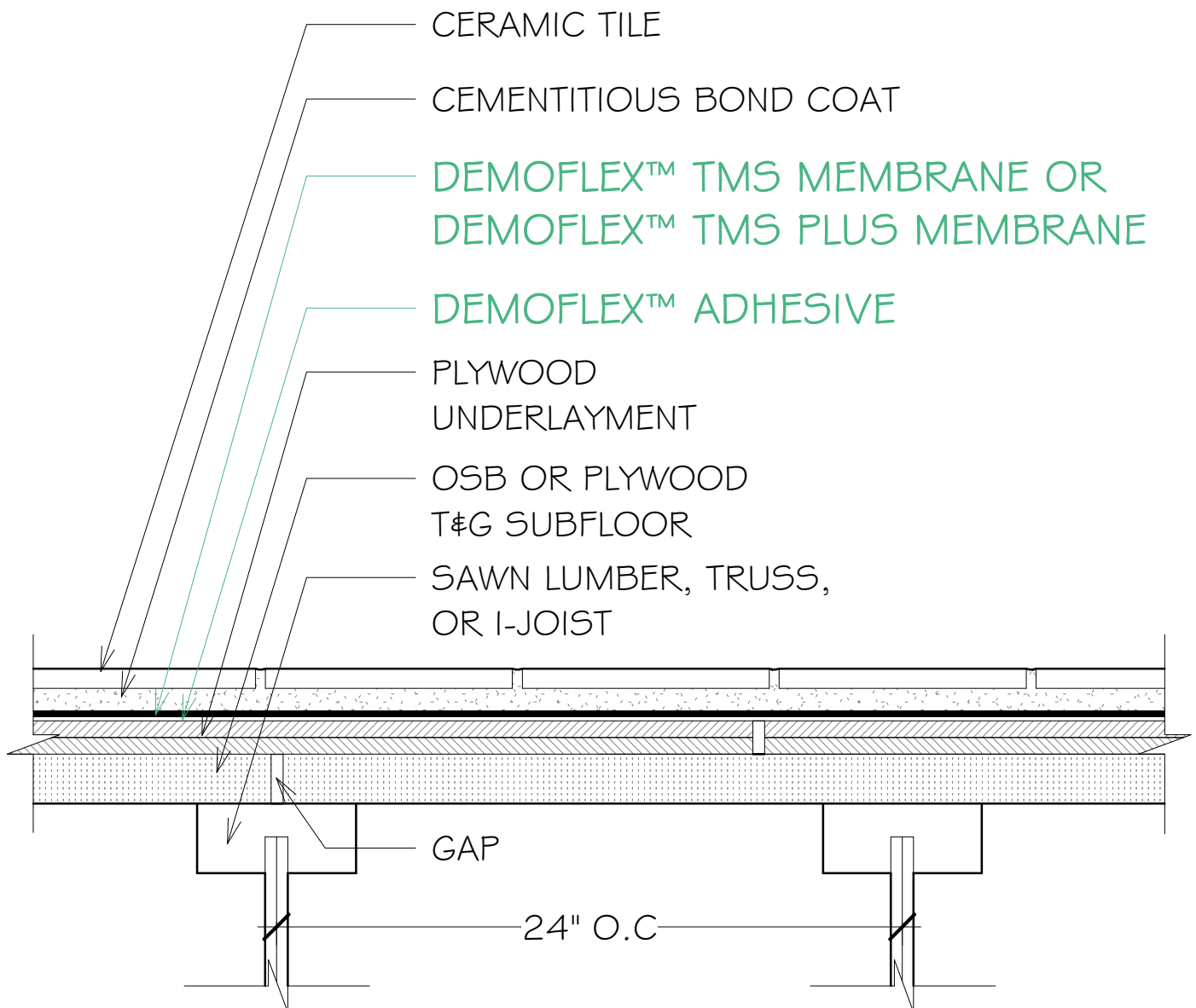


INTERIOR FLOORS OVER WOOD

F155-17

- JOISTS MAX. 24" O.C. / PLYWOOD OR OSB SUBFLOOR
- PLYWOOD UNDERLAYMENT
- DEMOFLEX™ TMS MEMBRANE OR DEMOFLEX™ TMS PLUS MEMBRANE
- CERAMIC TILE

DemoFlex™
Tile Management System



NUE TILE PROVIDES DEMOFLEX TAPE FOR SEAMS AND PERIMETER OF MEMBRANE.