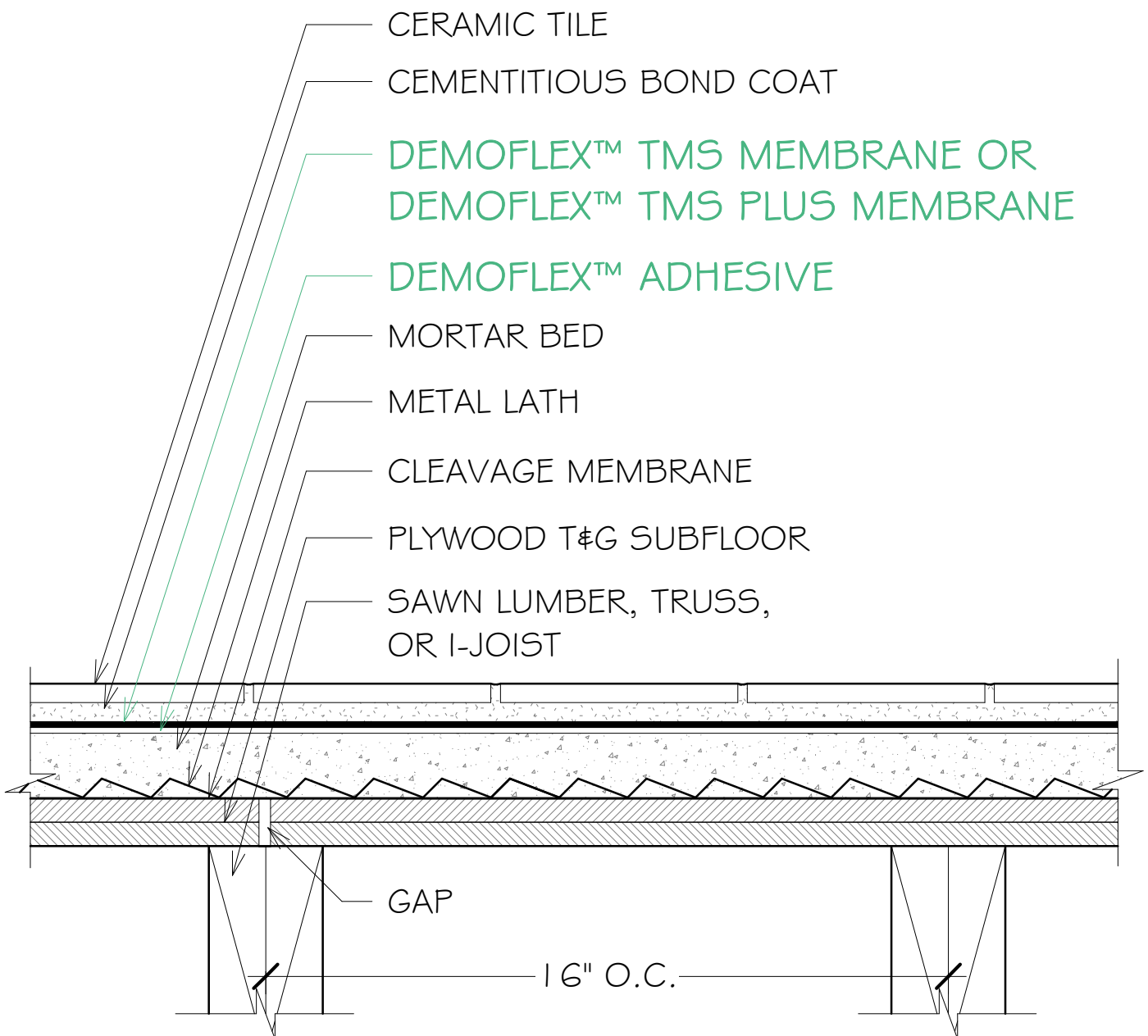


## INTERIOR FLOORS OVER WOOD

# F145-17

- JOISTS MAX. 16" O.C. / PLYWOOD SUBFLOOR
- MORTAR BED
- DEMOFLEX™ TMS MEMBRANE OR DEMOFLEX™ TMS PLUS MEMBRANE
- CERAMIC TILE, GLASS TILE

**DemoFlex™**  
Tile Management System



*NUE TILE PROVIDES DEMOFLEX TAPE FOR SEAMS AND PERIMETER OF MEMBRANE.*