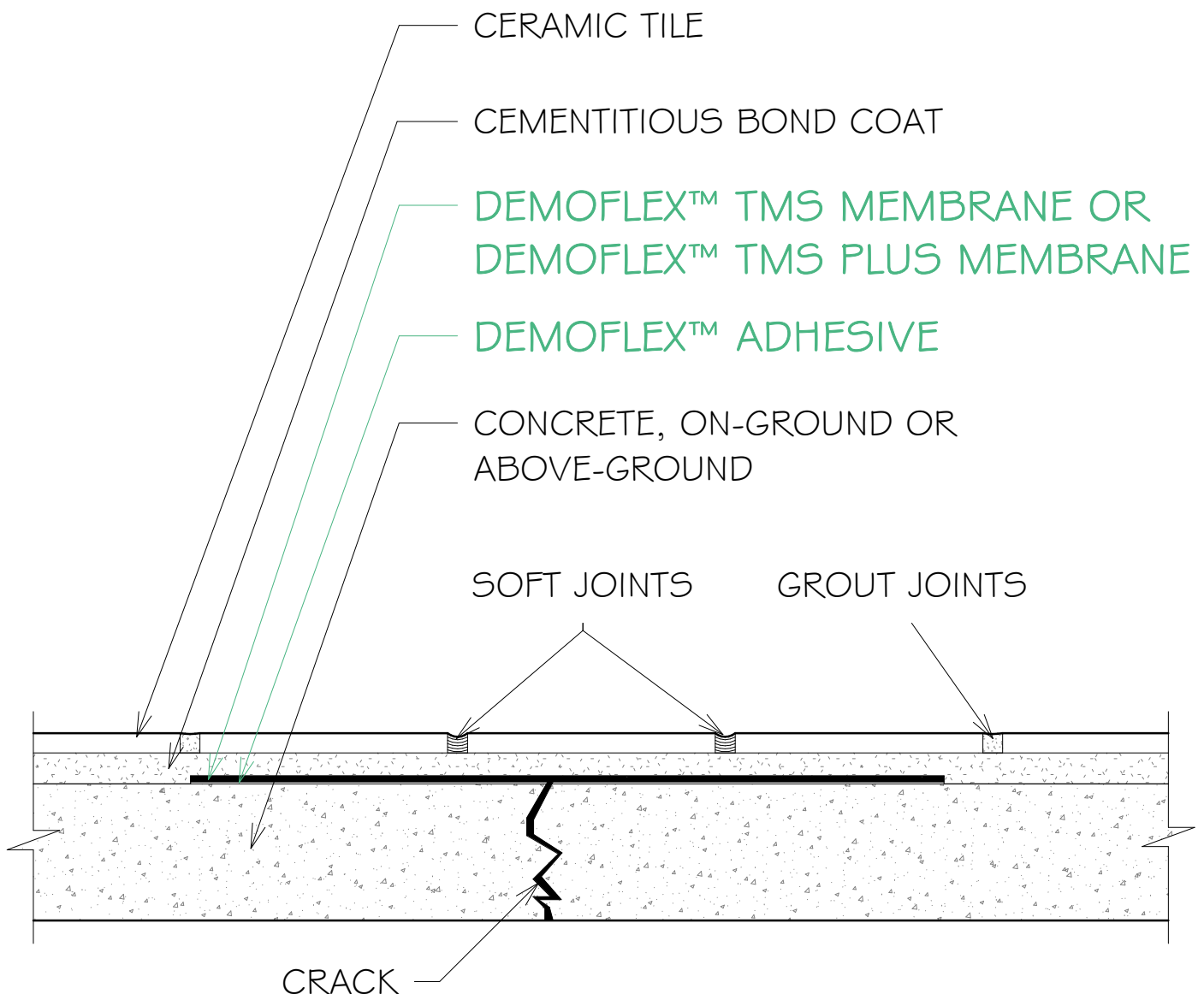


## INTERIOR FLOORS OVER CONCRETE

# F125-PARTIAL-17

- ON-GROUND OR ABOVE-GROUND CONCRETE
- CRACK ISOLATION DEMOFLEX™ TMS MEMBRANE OR DEMOFLEX™ TMS PLUS MEMBRANE (PARTIAL COVERAGE)
- CERAMIC TILE

**DemoFlex™**  
Tile Management System



*NUE TILE PROVIDES DEMOFLEX TAPE FOR SEAMS AND PERIMETER OF MEMBRANE.*